

**JCDC-3**

## **3.0 HP Mobile Cyclone Dust Collector**

Original:

**GB**

**Operating Instructions**



**JPW (Tool) AG**

Tämperlistrasse 5

8117 Fällanden

Switzerland

Phone +41 44 806 47 48

Fax +41 44 806 47 58



[www.jettools.com](http://www.jettools.com)

M-717530KT

2016-04

# CE-Conformity Declaration

**Product: Cyclone Dust Collector**

**JCDC-3**

**Stock Number: 717530KT**

**Brand:**

JET

**Manufacturer:**

JPW (Tool) AG, Tämperlistrasse 5,  
CH-8117 Fällanden, Switzerland

On our own responsibility we hereby declare that this product complies  
with the regulations

- \* 2006/42/EC Machinery Directive
- \* 2014/30/EU EMC Directive (Electro Magnetic Compatibility)
- \* 2014/35/EU Low Voltage Directive

Designed in consideration of the standards

EN ISO 12100  
EN 60204-1  
EN61000-6-4, EN61000-6-2  
IEC61000-4-2, IEC61000-4-3  
IEC61000-4-4, IEC61000-4-5  
IEC61000-4-6, IEC61000-4-8

Technical file compiled by:  
Hansjörg Meier, JPW (Tool) AG, Product Management



2016-04-20 Alain Schmid, General Manager

JPW (Tool) AG, Tämperlistrasse 5, CH-8117 Fällanden, Switzerland

# **GB - ENGLISH**

## **Operating Instructions**

Dear Customer,

Many thanks for the confidence you have shown in us with the purchase of your new JET-product. This manual has been prepared for the owner and operators of a JET JCDC-3 cyclone dust collector to promote safety during installation, operation and maintenance procedures. Please read and understand the information contained in these operating instructions and the accompanying documents. To obtain maximum life and efficiency from your dust collector, and to use it safely, read this manual thoroughly and follow instructions carefully.

### **Warranty**

The Seller guarantees that the supplied product is free from material defects and manufacturing faults. This warranty does not cover any defects which are caused, either directly or indirectly, by incorrect use, carelessness, accidental damage, repair, inadequate maintenance or cleaning and normal wear and tear.

Guarantee and/or warranty claims must be made within twelve months from the date of purchase (date of invoice). Any further claims shall be excluded.

This warranty includes all guarantee obligations of the Seller and replaces all previous declarations and agreements concerning warranties.

The warranty period is valid for eight hours of daily use. If this is exceeded, the warranty period shall be reduced in proportion to the excess use, but to no less than three months.

Returning rejected goods requires the prior express consent of the Seller and is at the Buyer's risk and expense.

Further warranty details can be found in the General Terms and Conditions (GTC). The GTC can be viewed at [www.jettools.com](http://www.jettools.com) or can be sent by post upon request.

The Seller reserves the right to make changes to the product and accessories at any time.

### **About this manual**

This manual is provided by JET, covering the safe operation and maintenance procedures for a JET Model JCDC-3 Cyclone Dust Collector. This manual contains instructions on installation, safety precautions, general operating procedures and maintenance instructions. Your machine has been designed and constructed to provide consistent, long-term operation if used in accordance with the instructions as set forth in this document.

This manual is not intended to be an exhaustive guide to dust removal strategies, installation of shop duct work, or the use of optional dust collection accessories. Additional knowledge may be obtained from experienced users or trade articles. Whatever accepted methods are used, always make personal safety a priority.

If there are questions or comments about this product, please contact your local supplier or JET. JET can also be reached at our web site: [www.jettools.com](http://www.jettools.com).

Retain this manual for future reference. If the machine transfers ownership, the manual should accompany it.



## 1.0 Important Safety Instruction

When using an electrical appliance, basic precautions should always be followed, including the following:

READ ALL INSTRUCTIONS BEFORE USING THIS DUST COLLECTOR.

### **WARNING – To reduce the risk of fire, electric shock, or injury:**

1. Read and understand entire owner's manual before attempting assembly or operation.
2. Read and understand the warnings posted on the machine and in this manual.
3. Replace warning labels if they become obscured or removed.
4. This dust collector is designed and intended for use by properly trained and experienced personnel only. If you are not familiar with the proper and safe operation of a dust collector, do not use until proper training and knowledge have been obtained.
5. Do not use this dust collector for other than its intended use. If used for other purposes, JET disclaims any real or implied warranty and holds itself harmless from any injury that may result from that use.
6. Always wear approved safety glasses/face shield while using this dust collector. Everyday eyeglasses only have impact resistant lenses; they are not safety glasses.
7. Keep hair, loose clothing, fingers, and all parts of body away from openings and moving parts.
8. Wear hearing protection (plugs or muffs) during extended periods of operation.
9. Some dust created by power sanding, sawing, grinding, drilling and other construction activities contains chemicals known to cause cancer, birth defects or other reproductive harm. Some examples of these chemicals are:
  - Lead from lead based paint.
  - Crystalline silica from bricks, cement and other masonry products.
  - Arsenic and chromium from chemically treated lumber.

Your risk of exposure varies, depending on how often you do this type of work. To reduce your exposure to these chemicals, work in a well-ventilated area and work with approved safety equipment, such as face or dust masks that are

specifically designed to filter out microscopic particles.

10. Do not operate this machine while tired or under the influence of drugs, alcohol or any medication.
11. Make certain the switch is in the **OFF** position before connecting the machine to the power supply. Turn off all controls before unplugging.
12. Make certain the machine is properly grounded. Connect to a properly grounded outlet only. See Grounding Instructions.
13. Make all machine adjustments or maintenance with the machine unplugged from the power source.
14. Remove adjusting keys and wrenches. Form a habit of checking to see that keys and adjusting wrenches are removed from the machine before turning it on.
15. Keep safety guards in place at all times when the machine is in use. If removed for maintenance purposes, use extreme caution and replace the guards immediately after maintenance is complete.
16. Check damaged parts. Before further use of the machine, a guard or other part that is damaged should be carefully checked to determine that it will operate properly and perform its intended function. Check for alignment of moving parts, binding of moving parts, breakage of parts, mounting and any other conditions that may affect its operation. A guard or other part that is damaged should be properly repaired or replaced.
17. Provide for adequate space surrounding work area and non-glare, overhead lighting.
18. Keep the floor around the machine clean and free of scrap material, oil and grease.
19. Keep visitors a safe distance from the work area. **Keep children away.**
20. Make your workshop child proof with padlocks, master switches or by removing starter keys.
21. Give your work undivided attention. Looking around, carrying on a conversation and "horse-play" are careless acts that can result in serious injury.
22. The dust collector is intended for indoor use. To reduce the risk of electric shock, do not use outdoors or on wet surfaces.
23. Do not use this dust collector for anything except wood dust. Materials such as liquids, metal shavings, metal dust, screws, glass, plastic or rock can cause sparks and/or damage when coming into contact with any part of the dust collector.

24. Do not use to pick up anything that is burning or smoking, such as cigarettes, matches or hot ashes.
25. Do not use to pick up flammable or combustible liquids such as gasoline, or use in areas where they may be present.
26. Do not pull or carry by cord, use cord as a handle, close a door on cord, or pull cord around sharp edges or corners. Do not run dust collector over cord. Keep cord away from heated surfaces.
27. Do not use this dust collector with a damaged cord or plug. If the unit is not working as it should, has been dropped, damaged, left outdoors, or dropped into water, return it to a service center.
28. Do not unplug by pulling on cord. To unplug, grasp the plug, not the cord.
29. Do not use without dust bag and/or filters in place.
30. Do not handle plug or machine with wet hands.
31. Do not put any objects into the openings. Do not use with any opening blocked; keep free of dust, lint, hair, and anything that may reduce air flow.
32. Do not operate without hose connected to the inlet. Place cap on unused inlet port. Hazardous moving parts inside. Unplug before removing or connecting inlet or inlet guard.
33. Use recommended accessories; improper accessories may be hazardous.
34. Maintain tools with care. Follow instructions for lubricating and changing accessories.
35. Turn off machine and disconnect from power before cleaning. Use a brush or compressed air to remove chips or debris; do not use bare hands.
36. Do not leave the machine when it is plugged in. Unplug from outlet when not in use and before servicing.
37. Do not stand on the machine. Serious injury could occur if the machine tips over.
38. The dust collector is intended for household use.

**Familiarize yourself with the following safety notices used in this manual:**

**CAUTION** This means that if precautions are not heeded, it may result in minor injury and/or possible machine damage.

**WARNING** This means that if precautions are not heeded, it may result in serious, or possibly even fatal, injury.

**SAVE THESE INSTRUCTIONS**

## 2.0 Direction / Safety Label

Figure 1 Shows the general safety rules to operate this machine

**CAUTION**

**ALWAYS USE CAUTION WHEN OPERATING THIS MACHINE**  
**DO'S:**  
**ALWAYS THINK BEFORE ACTING.**  
**BE SURE MACHINE IS CONNECTED TO PROPER VOLTAGE AND IS ELECTRICALLY GROUNDED.**  
**CAREFULLY READ INSTRUCTION MANUAL BEFORE OPERATING MACHINE.**  
**ALWAYS UNPLUG THE MACHINE WHEN PERFORMING MAINTENANCE, ADJUSTMENTS OR CLEANING.**  
**MAKE SURE ALL PEOPLE ARE CLEAR FROM ANY DANGEROUS AREAS.**  
**CONFINE HAIR AND REMOVE ANY LOOSE ARTICLES OF CLOTHING SUCH AS NECKTIES, ETC.**  
**REMOVE JEWELRY SUCH AS FINGER RINGS, WATCHES, BRACELETS, ETC.**  
**KEEP THE FLOOR AROUND THE MACHINE CLEAN AND FREE FROM SCRAPS, SAWDUST, OIL OR GREASE TO MINIMIZE THE DANGER OF SLIPPING.**

**DO NOT'S:**  
**NEVER OPERATE MACHINE UNLESS PROPERLY TRAINED.**  
**NEVER OPEN OR REMOVE GUARDS UNTIL MACHINE IS STOPPED.**  
**NEVER PLACE HANDS IN AREA NEAR MOVING PARTS OR MOVING MATERIAL.**  
**DO NOT OPERATE WHILE UNDER INFLUENCE OF DRUGS, ALCOHOL, OR MEDICATION.**

**FAILURE TO HEED THESE WARNINGS CAN RESULT IN SERIOUS INJURY.**

CT-C018

**CAUTION**





	Read and understand operator's manual before using this machine. Failure to follow operating instructions could result in death or serious injury.
	<b>Loud noise hazard.</b> Ear protection is required when operating this machine.
	<b>Flying objects hazard.</b> Eye protection is required when operating this machine.
	<b>Respiratory hazard.</b> Wear approved respirator in this area.

Figure 2 Product Brand Logo



Figure 3 Machine ID label : Shows the machine's specifications and series number



			
Model	JCDC-3 Cyclone Dust Collector		
Power	3~400V 50Hz 5A P2=2.25kW S1		
Specification	$\dot{V} \leq 2540 \text{ m}^3/\text{h}$ $p=1656 \text{ Pa}$ $\phi = 203\text{mm}$ (3x100mm)		
Article No.	717530KT	Weight	110 kg
Series No.		Year	
JPW (Tool) AG, CH-8117 Fällanden, Switzerland www.jettools.com      Made In Taiwan			

Figure 4 Warns user of hazardous voltage, and should be open up by trained personnel only.



Figure 5 Warns user of heated hot surface hazard



Figure 6 Indicate the main electrical power supply wire's location, and the label itself.

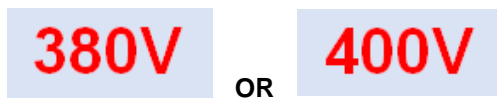


Figure 7 Motor & Fan Rotation Direction



Figure 8 Notice the operator do not put the foot on the base.

 **WARNING**

1. If the operator put the foot on the base, the moving wheels can cause the operator falling down.
2. Keep away from the base.
3. Please do not tread on the base.



Figure 9 Grounding Notice



### 3.0 Specifications

Model number .....	JCDC-3
Stock numbers:	
Complete kit .....	717530KT
Main unit only .....	717530T
Canister filter only.....	717530F

#### Motor and electricals:

Motor type .....	totally enclosed fan cooled, induction, capacitor start
Horsepower .....	3 HP (2.2kW)
Phase.....	Three
Voltage.....	380V(Russia) ; 400V(EU)
Cycle.....	50Hz
Listed FLA (full load amps) .....	5 A
On/off switch .....	push-button, magnetic contactor with overload protection
Motor speed .....	2800 RPM
Power cord.....	5G 1.25mm <sup>2</sup>
Power plug.....	KEDU P551, CE 3PH Plug, 415V/16A, installed
Recommended circuit and fuse/breaker size <sup>1</sup> .....	16 A
Sound emission (at 9.84 ft./3m) <sup>2</sup> .....	76 dB
Remote control system .....	radio frequency (FCC approved); range up to 50 ft. (15 m)
RC transmitter battery.....	2 x AA, 1.5V
Timer setting .....	2, 4, 6, 8 hours

#### Performance:

Inlet diameter .....	8 in. (203 mm)
Inlet adaptors, number of .....	3
Inlet adaptors, diameter of .....	4in. (100 mm)
Filter efficiency.....	99% of 2 micron particles
Air Flow Rate with filters installed .....	1945 CFM (2540 m <sup>3</sup> /hr)
Air Velocity.....	4271 FPM (21.7 m/s)
Static pressure loss (WC).....	5.27 inH <sub>2</sub> O (134 mmH <sub>2</sub> O)
Maximum static pressure loss (WC).....	6.65 inH <sub>2</sub> O (169 mmH <sub>2</sub> O)

#### Impeller:

Impeller diameter .....	15 in. (380 mm)
Impeller type .....	radial fin
Impeller material .....	steel

#### Canister filter:

Filter type .....	cartridge and spunbond polyester
Canister filter diameter.....	14-9/16 in. (370 mm)
Canister filter length.....	38-3/8 in. (975 mm)
Filter surface area.....	45.21 sq. ft. (4.2 m <sup>2</sup> )
Filter efficiency.....	99% of 2 micron particles
Cleaning system .....	manual scraper rotation

#### Collection drum:

Capacity .....	66 gal.
Diameter .....	24-7/16 in. (620 mm)
Height .....	31-7/8 in. (810 mm)
Material .....	steel

<sup>1</sup> Subject to local/national electrical codes. Recommendation based upon dedicated circuit.

<sup>2</sup> The specified values are emission levels and are not necessarily to be seen as safe operating levels. As workplace conditions vary, this information is intended to allow the user to make a better estimation of the hazards and risks involved only.

#### Collection bags:

Bag material.....	polyethylene
Drum collection bag size (Dia. x L) .....	38-9/16 x 47-1/4 (980 x 1200 mm)
Canister collection bag size (Dia. x L) .....	19-11/16 x 23-5/8 in. (500 x 600 mm)

Main materials:

Frame .....steel tubing  
Body..... 18 ga. steel  
Paint finish ..... powder coat

Dimensions:

Footprint/base dimensions (L x W) ..... 57 x 30-7/16 in. (1450 x 772 mm)  
Overall dimensions, assembled (L x W x H) ..... 30-7/16 x 57 x 88 in. (772 x 1450 x 2235 mm)  
Overall dimensions, shipping carton (L x W x H) ..... 54-3/4 x 30-1/8 x 38-9/16 in. (1390 x 765 x 980 mm)

Weights (approximate):

Net weight, full kit assembled ..... 242 lb. (110 kg)  
Net weight, (base machine only) ..... 220 lb. (100 kg)  
Net weight, (canister filter only) ..... 22 lb. (10 kg)  
Shipping weight (base machine only) ..... 268 lb. (122 kg)  
Shipping weight (canister filter only) ..... 33 lb. (15 kg)

The specifications in this manual were current at time of publication, but because of our policy of continuous improvement, JET reserves the right to change specifications at any time and without prior notice, without incurring obligations.



**⚠WARNING**

Read and understand the entire contents of this manual before attempting assembly or operation. Failure to comply may cause serious injury.

## 4.0 Setup and assembly

### 4.1 Unpacking and cleanup

Remove all contents from shipping carton and compare to the contents list in this manual. If shipping damage or any part shortages are identified, contact your distributor. Do not discard carton or packing material until dust collector is assembled and running satisfactorily.

### 4.2 Shipping contents – JCDC-3

Main carton (see Figure 1)

- 1 Main housing – A
- 1 Funnel – B
- 1 Base – C
- 1 Left stand – D<sub>1</sub>
- 1 Right stand – D<sub>2</sub>
- 1 Canister filter (with bag clamp) – E
- 1 Drum – F
- 1 Funnel clamp – G
- 1 Drum lid – H
- 1 Inlet adaptor – I
- 1 Hose – J
- 2 Hose clamp 12-1/2in. – K
- 4 Casters (for Base) – L
- 4 Casters (for Drum) – M
- 2 Side cap – N
- 1 Handle – O
- 1 Collection bag for canister – P
- 1 Collection bag for drum – Q
- 2 Quick lever – R
- 1 Bag frame – S  
(consists of 4 long supports, 4 short supports, and 3 hoops)
- 1 Stand support – T
- 1 Foam tape, 490 mm – U
- 2 Foam tape, 970 mm – V
- 1 Foam tape, 1265 mm – W
- 1 Gasket – X
- 1 Remote controller with batteries (not shown)

### Hardware package (p/n JCDC3-HP)

(see Figure 2)

- 1 Phillips pan head screw, 3/16x3/8 – HP1
- 22 Flange head screw, 5/16x1/2 – HP2
- 8 Phillips pan head screw, M5x8 – HP3
- 2 Phillips pan head screw, 1/4x1/2 – HP4
- 4 Flange head screw, 1/4x1/2 – HP5
- 1 Open-end wrench, 10/12mm – HP6
- 1 Hex wrench 4mm – HP7
- 1 Hex wrench 5mm – HP8
- 12 Flange head screw, 5/16x3/4 – HP9
- 6 Nut, 5/16 – HP10
- 24 Phillips pan head screw, M3x12 – HP11
- 24 Hex nut M3 – HP12

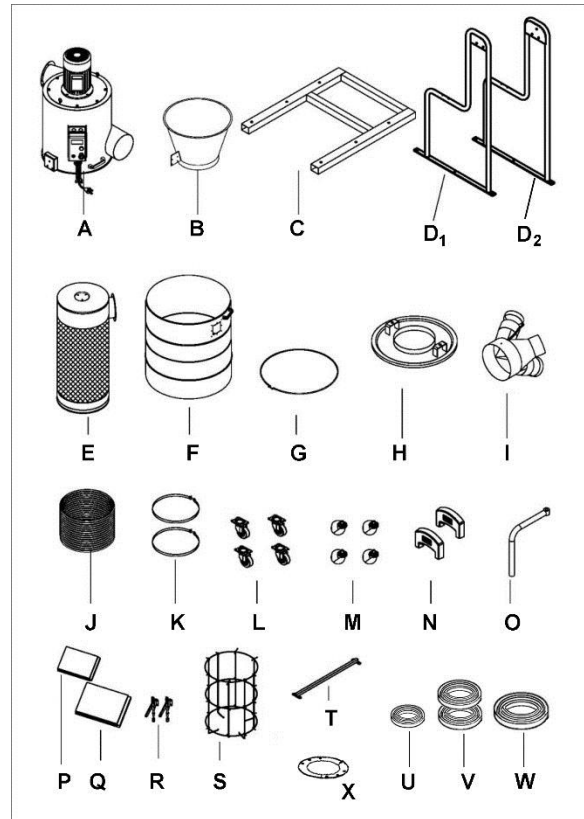


Figure 1: main carton contents (not to scale)

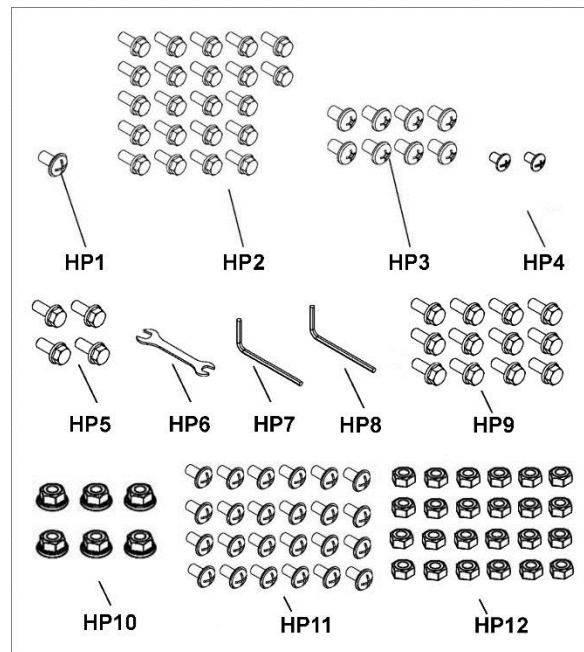


Figure 2: hardware package contents (not to scale)

### 4.3 Tools required for assembly

Hex keys, 4mm and 5mm (provided)  
Open-end wrench, 10/12mm (provided)  
Cross-point (Phillips) screwdriver

### 4.4 Assembly

1. Install four casters (L) to base (C) with pan head screws (HP2). See Figure 3.
2. Install left and right stands (D<sub>1</sub>, D<sub>2</sub>) to base (C) with flange head screws (HP9).
3. Install stand support (T) to stands with flange head screws (HP4).

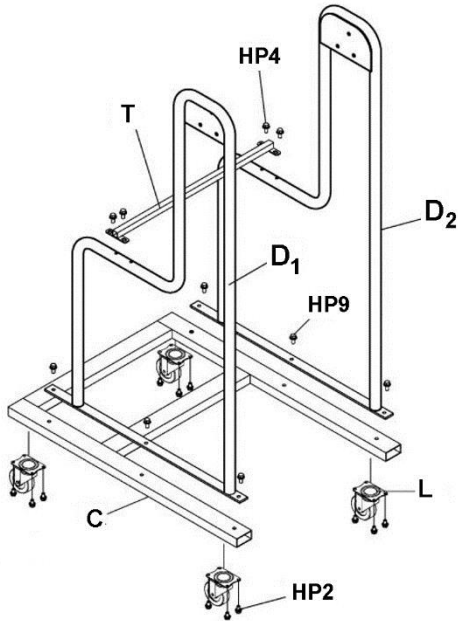


Figure 3

4. Install four casters (M) into the threaded nuts beneath drum (F). See Figure 4.

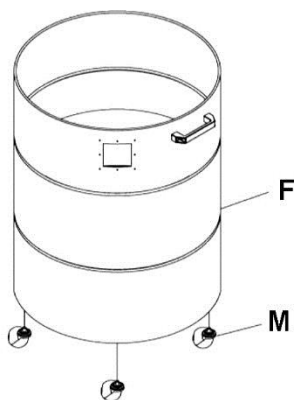


Figure 4

5. Lift main housing (A) using hoist with straps through lifting rings atop main housing. If hoist is not available, at least **2 persons** must lift housing.



**Main housing is heavy.  
Two-person lift, or use hoist.**

6. Position main housing (A) between left and right stands (D<sub>1</sub>, D<sub>2</sub>), and secure with flange head screws (HP2). See Figure 5.

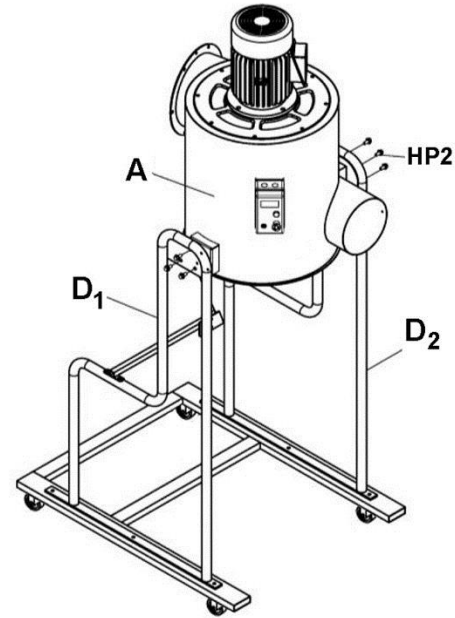


Figure 5

7. Install funnel (B) beneath main housing. Secure with funnel clamp (G). See Figure 6. Tighten screw on funnel clamp securely.

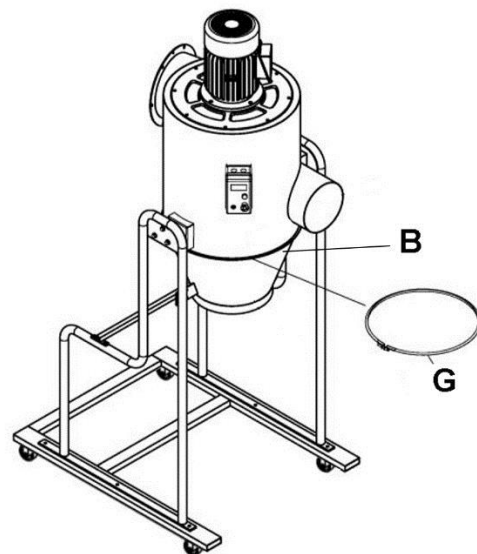


Figure 6

8. Install side cover (N) on left and right stands. See Figure 7.

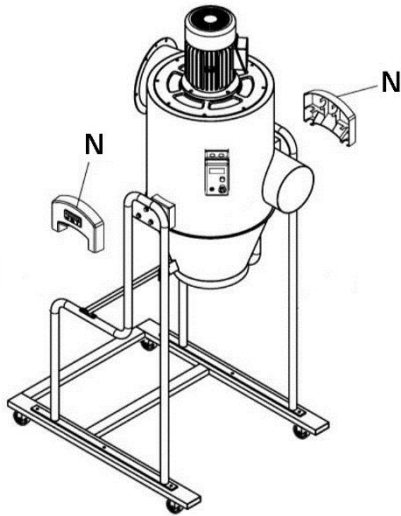


Figure 7

9. Install handle assembly (O) to canister filter (E) using set screw and nut. See Figure 8.

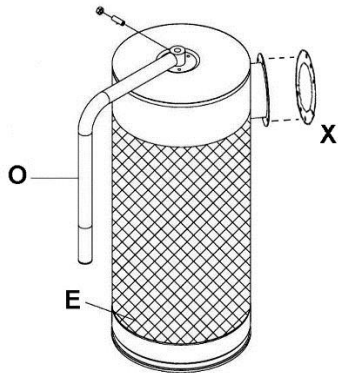


Figure 8

10. Place gasket (X) between canister filter and main housing. Install canister filter onto main housing, and tighten with flange head screws (HP9) and nuts (HP8). See Figure 9.

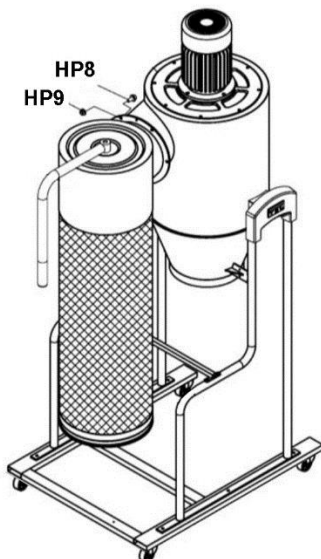


Figure 9

11. Apply foam tape (U) around inlet port near edge. See Figure 10. The foam tape should completely encircle the port.
12. Install inlet adaptor (I) on main housing and secure with pan head screw (HP1).
13. Apply foam tape (W) just above lower lip of canister filter. The foam tape should completely encircle the canister filter.
14. Install collection bag (P) to bottom of canister filter and secure with steel bag clamp (X).

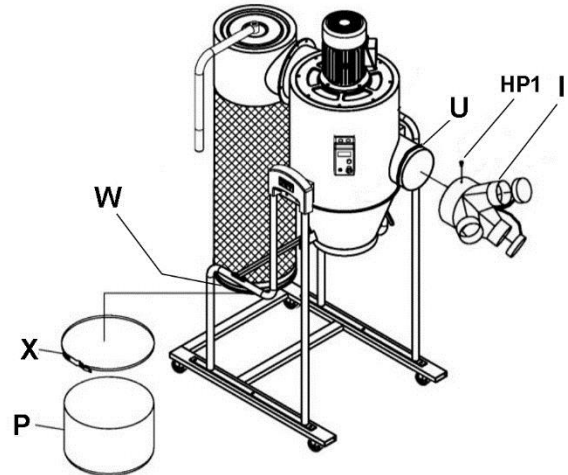


Figure 10

15. Apply foam tape (V) around funnel just above its bottom edge. See Figure 11. The foam tape should completely encircle the funnel.
16. Apply foam tape (V) around outside lip of drum opening. The foam should completely encircle the lip.

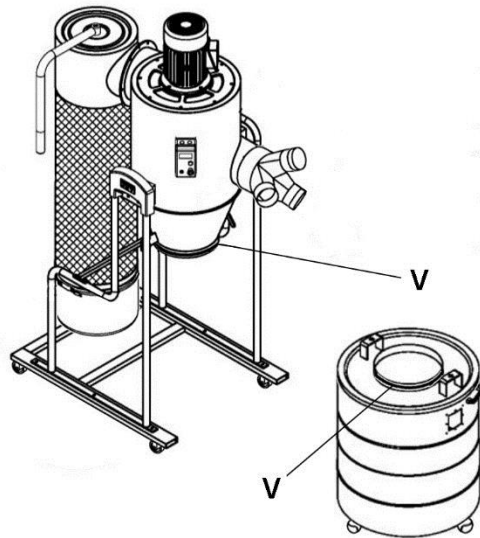


Figure 11

17. Install hose (J) onto cone and drum lid and secure with two hose clamps (K) at top and bottom. See Figure 12.

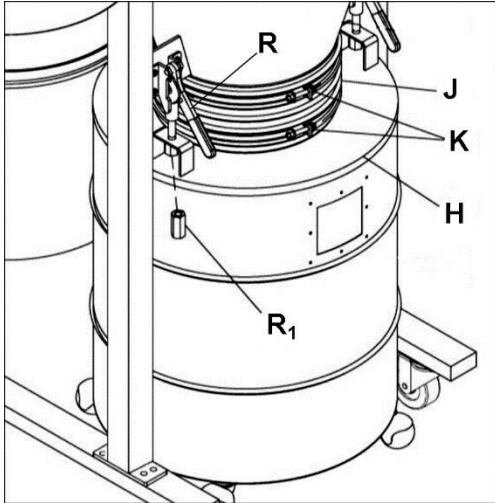


Figure 12

The bag frame maintains the shape of the bag in the negative-pressure environment of the cyclone drum. Assemble bag frame as follows:

18. Screw the short and long frame supports into the hoops in alternating manner, as shown in Figure 13. Secure with 24 pan head screws and hex nuts (HP11,HP12). (Note: The bends on long supports point inward as shown.)

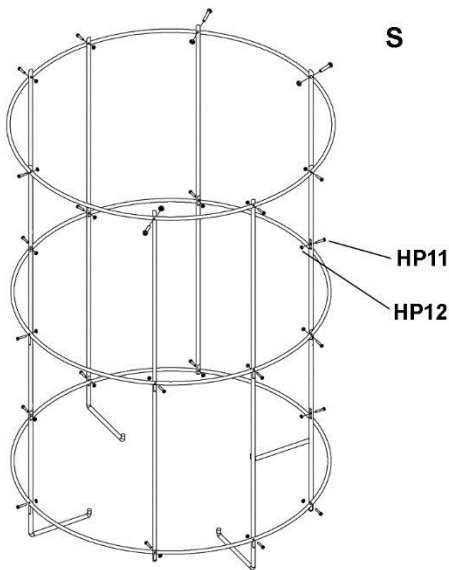


Figure 13

19. Place drum collection bag (Q) into drum with its top edge wrapped around top edge of drum. Place bag frame (S) inside bag and press all the way down. See Figure 14.
20. Pull down both quick levers (R, Figure 12) then assemble drum lid (H, Figure 12) to quick levers. Tighten long nut (R<sub>1</sub>, Figure 12) onto each quick lever.

21. Raise drum lid using quick levers, and position drum beneath lid. Lower quick levers to secure lid upon drum.

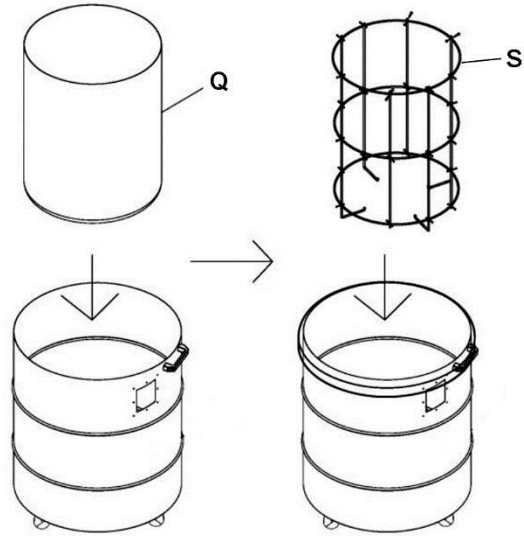


Figure 14

## 5.0 Electrical connections

**⚠WARNING** All electrical connections must be done by a qualified electrician in compliance with all local codes and ordinances. Failure to comply may result in serious injury.

Mains connection and any extension cords used must comply with applicable regulations.

The mains voltage must comply with the information on the machine license plate. The dust collector comes with a plug designed for use on a circuit with a *grounded outlet*.

Keep in mind that a circuit being used by other machines, tools, lights, heaters, etc. at the same time will add to the electrical load. A dedicated circuit to the dust collector will offer best results since dust collectors are generally used while other tools are running.

Before connecting to power source, be sure switch is in *off* position.

### 5.1 GROUNDING INSTRUCTIONS

This appliance must be grounded. If it should malfunction or breakdown, grounding provides a path of least resistance for electric current to reduce the risk of electric shock. This appliance is equipped with a cord having an equipment-grounding conductor and grounding plug. The plug must be inserted into an appropriate outlet that is properly installed and grounded in accordance with all local codes and ordinances.

**⚠WARNING** Improper connection of the equipment-grounding conductor can result in a risk of electric shock. Check with a qualified electrician or service person if you are in doubt as to whether the outlet is properly grounded. Do not modify the plug provided with the appliance – if it will not fit the outlet, have a proper outlet installed by a qualified electrician.

The conductor with insulation having an outer surface that is green with or without yellow stripes is the equipment-grounding conductor. If repair or replacement of the electric cord or plug is necessary, do not connect the equipment-grounding conductor to a live terminal.

Repair or replace damaged or worn cord immediately.

Make sure that the appliance is connected to an outlet having the same configuration as the plug. No adapter should be used with this appliance. If the appliance must be reconnected for use on a different type of electric circuit, the reconnection should be made by qualified service personnel; and after reconnection, the appliance should comply with all local codes and ordinances.

## 6.0 Operations

### 6.1 Start/stop

Press green start button (A, Figure 15) to start dust collector. Press red stop button (B) to stop.

The stop button (B) remains engaged after being pushed. To restart dust collector, rotate stop button clockwise to disengage.



Figure 15

### 6.2 Remote controller

The RF (radio frequency) remote controller operates on 2 AAA batteries (included). The batteries will need replacing periodically. The remote controller has an effective range up to approximately 50 feet (15 meters).

Press the + or – button to select desired timer setting: 2, 4, 6 or 8 hours. The dust collector will stop automatically at end of selected period. For continuous operation (no timer) select infinity (∞) position.

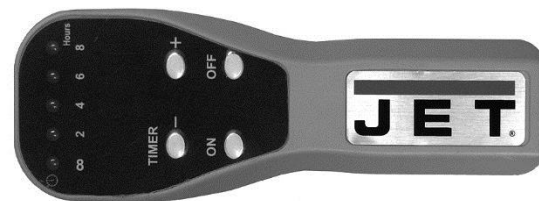


Figure 16

#### 6.2.1 Remote controller reset

If the remote controller begins to function improperly, it should be cleared and reset.

To clear the remote controller, press and hold reset button (C, Figure 15) for 3 seconds until receiver “beeps” 3 times.

To reset the controller:

1. Press reset button (C, Figure 15) for 1 second until receiver “beeps” once.
2. Press and hold “ON” button on the remote controller until receiver “beeps” twice. (If you are using multiple remotes, perform step 2 on each remote before proceeding.)
3. Press and hold reset button (C) for 3 seconds until receiver “beeps” 3 times.

The remote controller is now ready.

#### 6.3 Dust hose connection

Use proper type hose to connect dust collector to machine(s) being operated. *Dryer vent hose is not acceptable for this purpose.* Secure hose at both ends with proper clamps.

**If an inlet port is not being used, it should remain capped.** An open port will diminish the machine's efficiency, and may create a safety hazard.

Contact your nearest JET distributor for a line of Dust Collector hoses and accessories. You can customize your installation and obtain maximum performance with dust hoods, hoses, clamps, fittings, and blast gates.

## 7.0 User-maintenance

**⚠WARNING** Turn OFF dust collector and remove plug from power source before performing any adjustments or maintenance. Failure to comply may result in serious injury.

### 7.1 Thermal overload reset

The switch box contains overload protection to help prevent damage to the motor. The relay will open the circuit (shut off the dust collector) if the motor is drawing excessive current during extended periods of operation.

If the overload is tripped, allow the machine to cool down for several minutes.

1. Remove screw on switch box and remove cover.
2. Press reset button (A, Figure 17) to reset the overload relay.
3. **Close switch box cover** and tighten screw to secure.

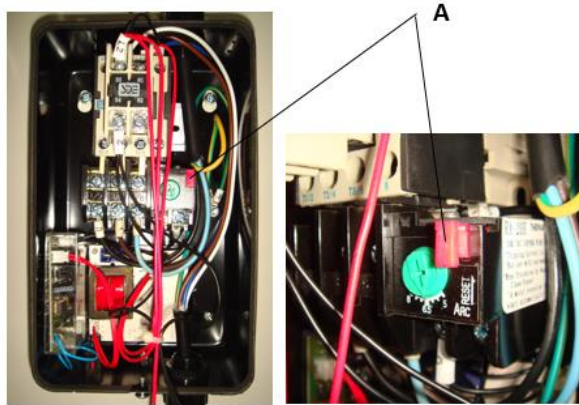


Figure 17

### 7.2 Cleaning and bag inspection

Clean canister filter frequently to keep the collector's performance at its optimum. To clean filter, turn handle a couple of rotations so dust falls into attached collection bag.

Empty or replace canister and drum collection bags when full.

#### **ATTENTION:**

During the changing or cleaning of the filters it's necessary to use a mask (mask with filtration).

### 7.3 Motor inspection

Make frequent inspections of motor fan, and blow out (with low pressure air hose) or vacuum any accumulation of foreign material to maintain normal motor ventilation.

### 7.4 Additional servicing

No lubrication is required for the dust collector.

Any other servicing should be performed by an authorized service representative.

## 8.0 Optional accessories

Part no.	Description
717511	Canister collection bag for JCDC (package of 5)
717531	Drum collection bag for JCDC-3 (package of 5)

Table 2

## 9.0 Troubleshooting the JCDC-3

### 9.1 Electrical and motor problems

Symptom	Possible Cause	Correction*
Motor will not start.	No incoming current.	Check connections at plug or circuit panel.
	Safety key missing from switch.	Install safety key.
	Low voltage.	Check power line for proper voltage.
	Open circuit in motor or loose connection.	Inspect all connections to switch box and motor for loose or open connections.
	Faulty start switch.	Inspect and replace switch if needed.
	Faulty start capacitor.	Replace capacitor.
	Faulty motor.	Inspect and replace motor if needed.
Motor will not start: fuse blows or circuit breaker trips.	Too many machines on shared circuit.	Connect dust collector to dedicated circuit.
	Short circuit in line cord or plug.	Inspect cord or plug for damaged insulation and shorted wires.
	Short circuit in motor or loose connections.	Inspect all connections on motor for loose or shorted terminals or worn insulation.
	Incorrect fuse or circuit breaker in power line.	Install correct fuse or circuit breaker at power source.
Motor overheats.	Motor overloaded.	Reduce load on motor.
	Air circulation through motor is restricted.	Clean motor fan with compressed air to restore normal air circulation.
Motor stalls, resulting in blown fuses or tripped circuit.	Motor overloaded.	Reduce load on motor.
	Short circuit in motor or loose connections.	Inspect connections on motor for loose or shorted terminals or worn insulation.
	Low voltage.	Correct low voltage conditions.
	Incorrect fuse or circuit breaker in power line.	Install correct fuse or circuit breaker.
Loud noise or vibrations coming from machine.	Loose fasteners.	Inspect machine and tighten all fasteners.
	Motor fan is hitting the cover.	Tighten fan or shim cover. Replace fan cover if damaged.
	Impeller is damaged.	Replace impeller.
Remote controller fails to activate machine.	Stop button still engaged.	Disengage stop button.
	Batteries drained.	Replace batteries.
	Remote needs resetting.	Follow instructions for clearing and resetting.

\* **WARNING:** Some corrections may require a qualified electrician.

## 9.2 Performance problems

Symptom	Possible Cause	Correction
Poor performance; lack of suction.	Hose improperly secured at dust origination point.	Inspect and remedy.
	Inlet port is open.	Cap unused inlet ports.
	Collection bag is full.	Empty bag (check sight window).
	Collection drum not sealed properly.	Inspect drum for leaks, make sure lid is tight.
	Canister filter is dirty.	Clean filter.
	Wood has excess moisture content.	Use lumber with lower moisture content.
	Obstruction in dust hose or inlet port.	Inspect and clear obstruction.
	Dust hose too long.	Move collector closer to dust source.
Excess dust or large chips backing up into canister filter.	Collection drum not sealed properly.	Inspect drum for leaks, make sure lid is tight.
	Collection bag full.	Empty bag (check sight window).